

LED COB Anti-Glare Downlight Installation Instructions Page One



For model: COBDLAG30W-40

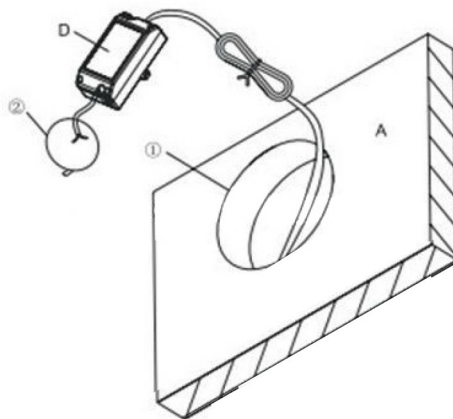
**This installation must be carried out by an electrician.
Please read these instructions carefully before installation.
Leave a copy for the user/maintenance engineer for future reference.**

Specification

- COB LED Anti-Glare Downlight
- 110-265V
- 30W Bridgelux COB LED
- 4000K Colour temperature
- 3000-3200 Lumen output
- 50,000 Hours life expectancy
- Three Year guarantee
- Dimensions: Ø: 226 x D: 110 x Cut out: 210mm

Description

The LED Anti-glare Downlight is an energy-efficient LED recessed ceiling fixture that is perfectly suited for mounting in system / hollow ceilings. The fixture provides a pleasant light array with a beam angle of 60 degrees. The fixture comes complete with standard driver (included). It is mounted by using spring clamp connection.



- | | |
|------------------------------|------------------------------|
| A. Wall/ceiling 110-265V AC. | 1. Make a hole. |
| B. Spring. | 2. Connect the power wire. |
| C. LED Lamp. | 3. Push spring. |
| D. Driver. | 4. Put the lamp in the hole. |

Package Contents

- One x 30W Downlight
- One x Driver with open cable end
- One x Installation Instructions

Safety Instructions

- Unplug mains before installing or wiring the fixture.
- Never look directly into the light source.
- User must follow the safety instructions and warning clauses written in these instructions.

Warning

Please note electrical products can cause death or injury, or damage to property. This product should be installed by a qualified licensed electrician.

- Ensure the mains supply is switched off before commencing work.
- Before cutting, ensure that the hole does not impinge on joists, pipe work, cables or other building services.

LED COB Anti-Glare Downlight Installation Instructions Page Two



For model: COBDLAG30W-40

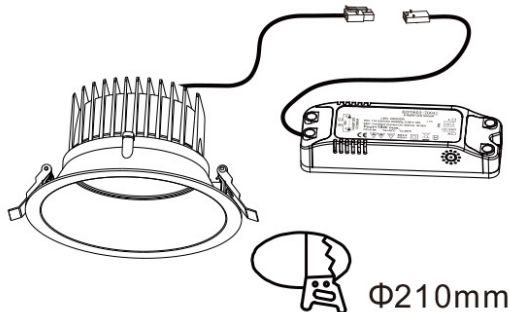


Fig.1. This luminaire requires a round hole $\varnothing 175\text{mm}$ / $\varnothing 210\text{mm}$ to be cut into the ceiling for correct installation.

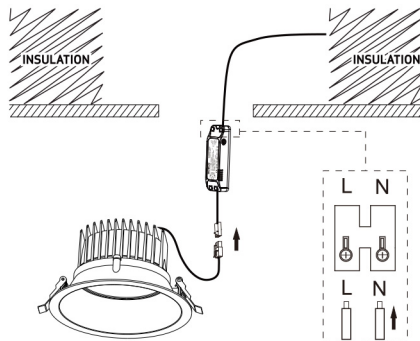


Fig.2. Connect the Driver to AC power supply 110-265V 50/60Hz. Connect luminaire to the driver by means of the quick fix connector.

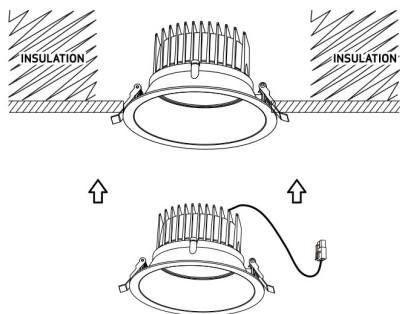
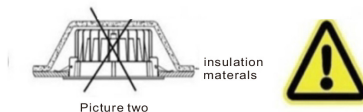
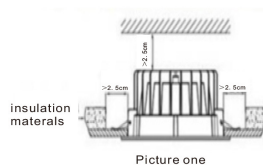


Fig.3. Hold the luminaire and the driver up to cut-out with the springs being held vertically.



Guarantee

This product is guaranteed for a period of three years from the date of purchase. The guarantee is invalid in the case of improper use, tampering, removal of the Q.C. date label, installation in an improper working environment or installation not according to the current edition of the I.E.E. Wiring Regulations (BS7671). The guarantee is also invalidated if the luminaire has been Mega tested. Should this product fail during the guarantee period it will be replaced free of charge, subject to correct installation and return of the faulty unit. We do not accept responsibility for any installation costs associated with the replacement of this product. Your statutory rights are not affected. We reserve the right to alterspecifications without prior notice.



RoHS



CE